

# E-Billy

## Add-Ons Manual

Please read this manual carefully before using E-Billy Add-Ons. Failure to follow the precautions described in this manual can cause damage to the stand and personal injury.

### Safety Precautions

- ◆ Before proceeding with any operation described in this manual, make sure you understand the instructions. If you have any trouble whatsoever, contact us at [info@dbd-tools.com](mailto:info@dbd-tools.com). We are here to help you.
- ◆ The stand must be plugged into an undamaged and grounded power outlet with a proper cable. If you live outside the EU and didn't receive a power cable suitable for your country's power outlets, contact us and we will send you one. **Do not use damaged extension cords.**
- ◆ The stand is designed for indoor use only. Make sure you don't operate it in wet or damp conditions.
- ◆ For cleaning the stand use a cloth and isopropyl alcohol.
- ◆ Do not modify any part of the stand. Doing so can cause serious injury.
- ◆ Do not operate the stand without the safety covers in place. Doing so can cause serious injury.
- ◆ Keep the work area clear of obstructions.
- ◆ The stand is designed for lifting bicycles, do not use it for other purposes.
- ◆ Do not stand on any part of the stand except the base plate.
- ◆ Before operating the stand make sure there are no people in the stand's work area.
- ◆ Do not wear loose clothing or any accessories that could get caught in moving parts. Keep long hair organized and out of the way.
- ◆ When operating the stand don't touch any of its parts except the remote control.
- ◆ Before attempting any repair operation to the stand, find a suitable manual for the intended operation or contact us to help you.

## Assembly and Installation

### Required tools (not included)

For your convenience, E-Billy's Add-Ons are shipped mostly assembled, with very few steps left for you to complete before using them.

Required tools for installing each Add-On:

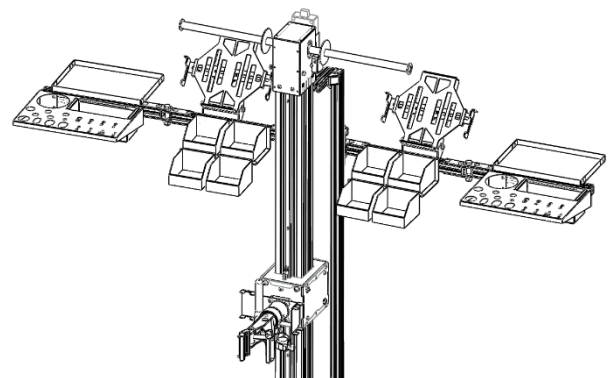
- ◆ Support Frame – 5 mm hex wrench
- ◆ Tool Tray – 4 mm hex wrench
- ◆ Part Tray – 4 mm hex wrench
- ◆ Laptop / Tablet Holder – 4 mm hex wrench
- ◆ Small Parts Organizer – 4 mm hex wrench
- ◆ Towel Holder – 4 mm hex wrench
- ◆ PowerPort USB Charger – 2 mm hex wrench
- ◆ Clamp Extender – 5 mm hex wrench, 13 mm wrench

The following Add-Ons require the use of Support Frame with Hinged Arm:

- ◆ Tool Tray
- ◆ Part Tray
- ◆ Laptop / Tablet Holder
- ◆ Small Parts Organizer

### Position of the Support Frame

By default, the Support Frame comes assembled so that it is positioned on the left side of the stand looking from the front - we find this configuration handier. It can, however, be reconfigured to the other side if you prefer. To do this, the mounting pieces at the top and bottom need to be reassembled with their position mirrored horizontally. When doing so, refer to the adjustment guidelines described in the next section.



## Support Frame and Hinged Arm

The Support Frame comes pre-assembled and consists of the vertical support and hinged arm. The following procedures must be completed to install it:

1. Turn E- Billy off.
2. Remove the rear plastic cover from the bottom of the stand (Figure 1 - A)
3. Unscrew the rear two M8 screws holding the stand to the floor / Base Plate (Figure 1 - B)
4. Position the vertical support on the bottom holes and insert the two longer M8 screws included with the Support Frame (Figure 2).
5. Thread in the screws enough to hold the vertical support in place but don't tighten them yet.
6. Insert the included shorter M8 screw into the mounting bracket at the top of the vertical support and thread it into the groove nut on E-Billy (Figure 3 - A).
7. Make sure the vertical support is positioned vertically and tighten all three screws you inserted previously.
8. Replace the plastic cover you removed in step 2.
9. Slide the groove nuts of the hinged arm into the rear groove of the vertical support. You may have to loosen them slightly (Figure 4).
10. Tighten the bottom screw of the hinged arm carrier, then unthread the screw by about half a turn. **It is only used for guiding the arm along the groove – the position of the arm is secured by the plastic star nut.**
11. Install the included plastic cover on the top of the vertical support (Figure 3 - B).
12. **IMPORTANT:** After installing the Support Frame, move E-Billy's limit switch all the way up until it stops against the top assembly. Then, using the hold function of the remote, move the stand up until it stops at the limit switch. Ensure there is a small gap between the carriage and the part of the vertical support mounted to the stand. Repeat with automatic operation. See Figure 5.

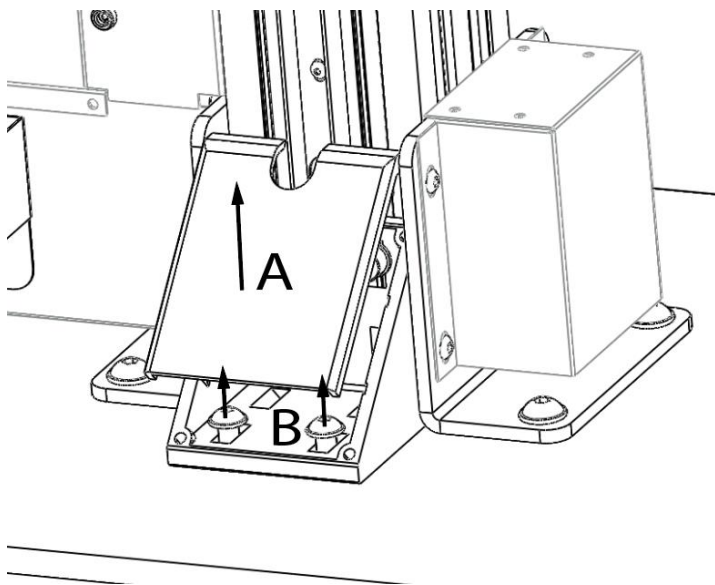


Figure 1

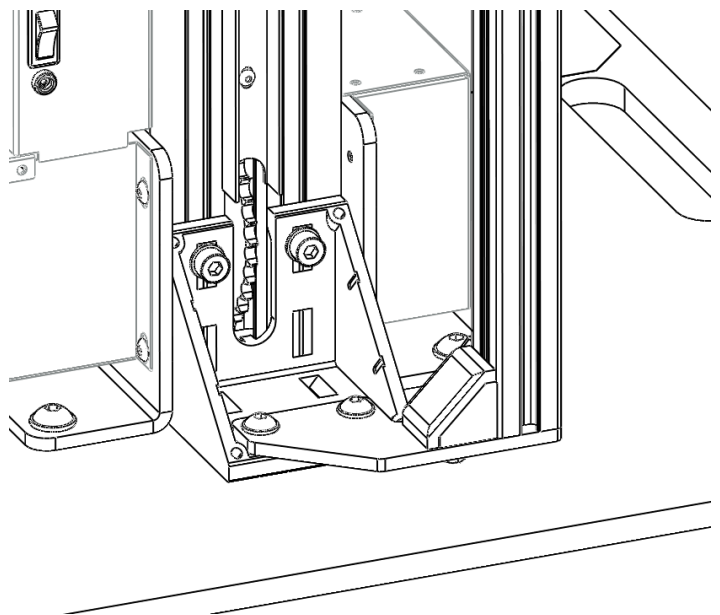


Figure 2

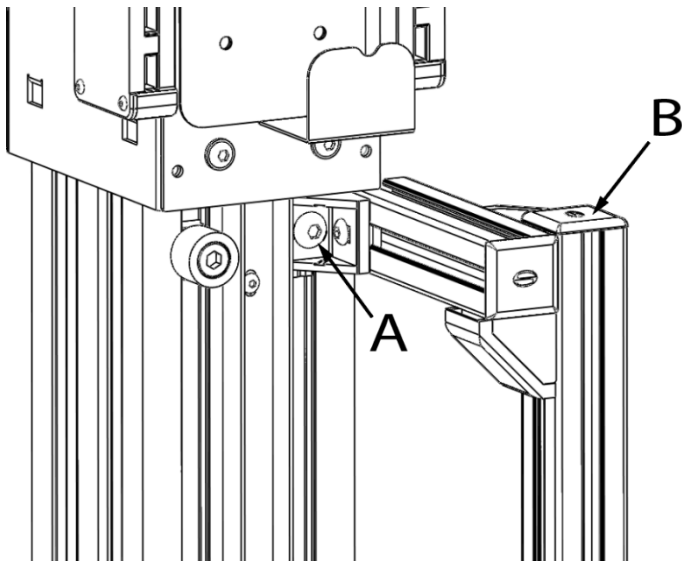


Figure 3

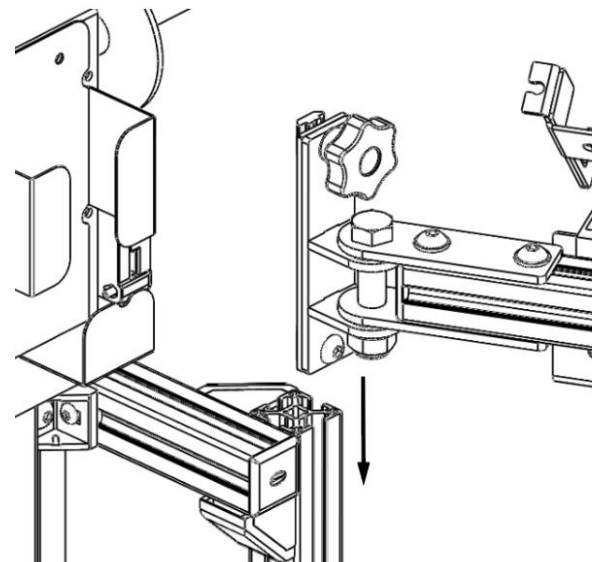


Figure 4

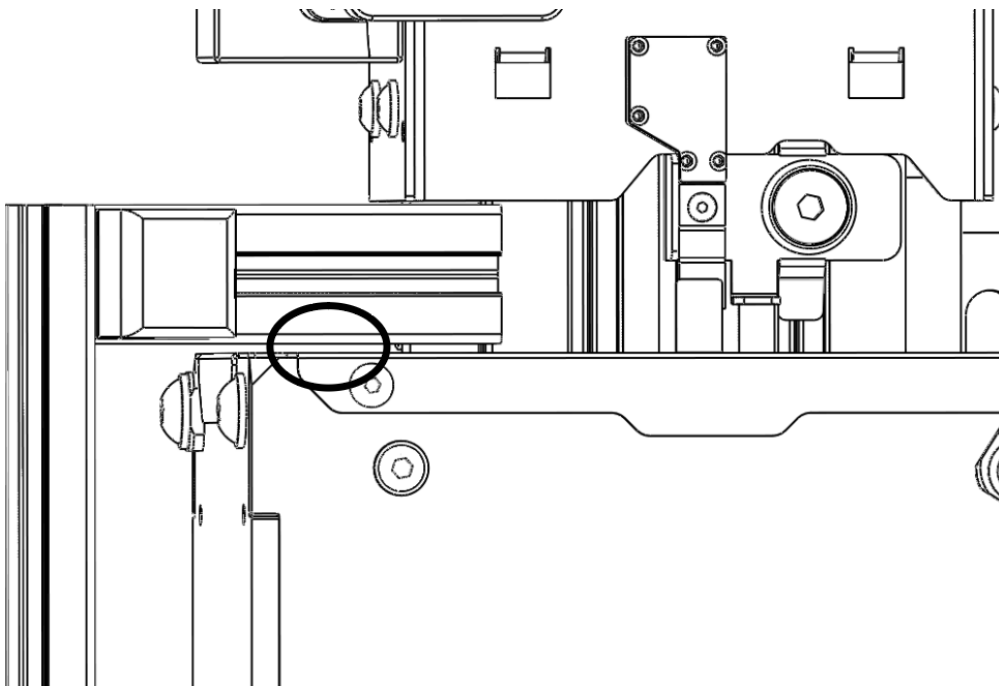


Figure 5: With the limit switch and carriage all the way up, ensure there is a gap between the horizontal support and carriage

**Notes:**

- ◆ The hinged arm's hinge tightness can be adjusted with two 19 mm wrenches by tightening or loosening the hinge screws slightly.
- ◆ The hinged arm's **weight capacity is 5 kg**. DBDtools is not responsible for any damage caused by overloading of the arm.
- ◆ Add-Ons requiring the support frame can be mounted on the hinged arm in any configuration you prefer.
- ◆ Due to the manufacturing tolerances required for assembly, the hinged arm may sag slightly under load. This is corrected by slightly unthreading the M8 screws holding the arm segments together, positioning the arm segments slightly upwards and retightening the screws.

## Installation of Add-Ons requiring the Hinged Arm:

The Tool Tray, Parts Tray, Small Parts Organizer, Laptop/Tablet Holder and optionally the Towel Holder are mounted to the hinged arm with the use of groove nuts that come pre-installed on these Add-Ons (except Towel Holder).

1. Move the hinged arm to a comfortable height.
2. Unthread the groove nuts on the Add-On you are installing slightly (not all the way off).
3. Slide the Add-On's groove nuts into the groove of the hinged arm segment (Figure 6). Tighten the bolts with a 4 mm hex wrench. You can place the Add-Ons however you like it best. See Figure 7 for a sample mounting configuration.
4. For notes on each individual Add-On see the next section.

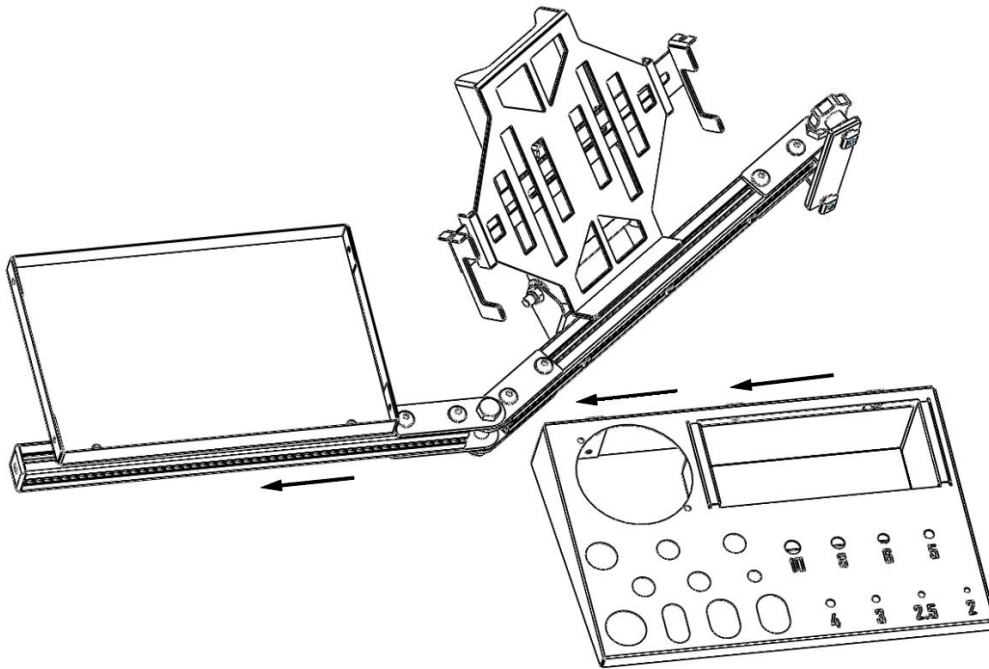


Figure 6: Installation of Add-Ons to the hinged arm

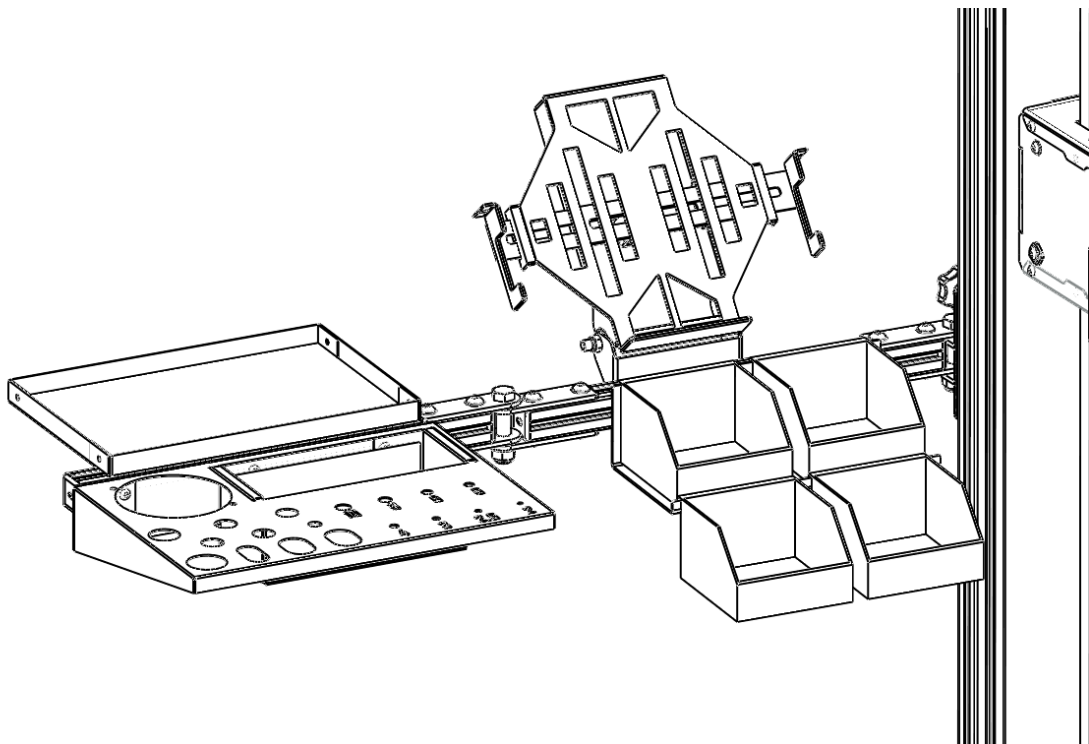


Figure 7: Example Add-On layout

## Tool Tray

The Tool Tray allows you to always keep your most used tools close. It includes:

- ◆ Marked cutouts for hex wrenches from 2 mm to 10 mm
- ◆ Mixed-size cutouts for various tools
- ◆ Spray compartment
- ◆ Magnetic cup for keeping small bolts and other metal pieces secure

### Notes:

- ◆ The spray compartment metal strip is inserted from the bottom by slightly bending the side flanges.
- ◆ The magnetic cup and spray compartment need to be removed to tighten the bolts holding the tool tray to the hinged arm

## Part Tray

The Part Tray is useful for putting down anything you need close at hand. Parts removed from the bike can stay close, especially if you only need to put them away for a short time or have your hands full – for example headset spacers while holding the fork at the same time.

## Laptop/Tablet Holder

When you need your electronic devices close, the Laptop/Tablet Holder is the perfect solution for laptops and tablets from 10 to 16 inches. Perform software updates or watch videos on technical procedures without relocating to a dedicated spot in the shop.

### Notes:

- ◆ The hinge tightness of the Laptop/Tablet Holder must be sufficient to prevent a heavy laptop from moving it under its weight. The hinge can be tightened by two 13 mm wrenches.
- ◆ The plastic star knob on the back is used to tighten the side arms of the holder.
- ◆ The holder is shipped in such a configuration as to be mounted on the back side of the hinged arm (Figure 7). If you wish to mount it to the front side of the arm, you must unthread the nut from the hinge bolt, remove the bolt, turn the mount around and reassemble the hinge.
- ◆ The cutouts on top of the side arms are for securing the coiled USB cable (shipped with the PowerPort USB Charger) so there is no tension being applied to the end of the cable and your device's charging port.

## Small Parts Organizer

The small parts organizer allows you to keep small parts and tools within your reach. Cable end caps, air pressure gauges, brake pads and any other often-used parts or tools can be stored right next to the work area for quicker access.

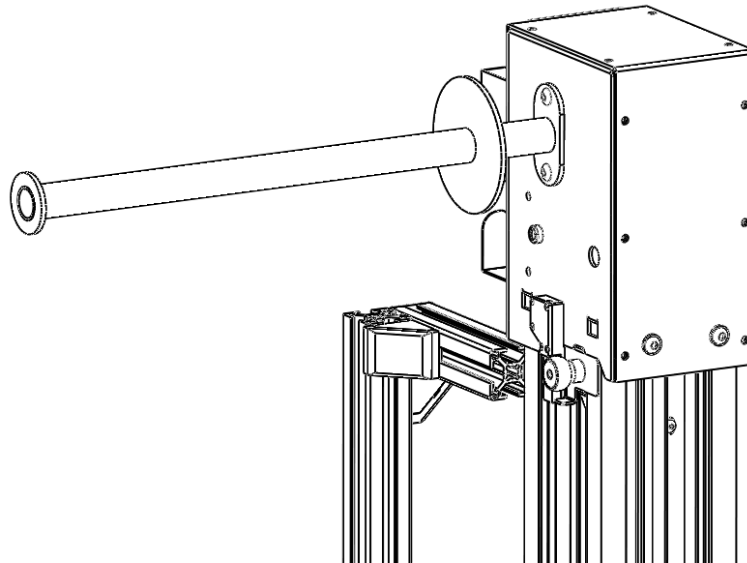
---

## Installation of Add-Ons not requiring the Hinged Arm:

See each Add-On for installation instructions.

### Towel Holder

The Towel Holder is mounted to the either side of E-Billy's top assembly with the two included M6 bolts using a 4 mm hex wrench. Optionally, it can be mounted to the Vertical Support (purchased separately) with the two included groove nuts. This allows you to mount it at your preferred height.

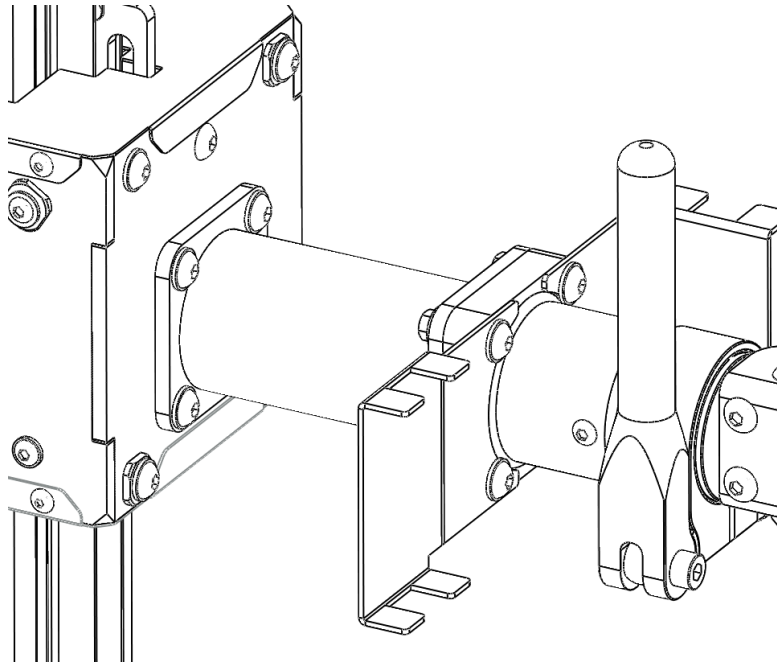


### Clamp Extender

The Clamp Extender gives you an extra 12 cm of space between the stand and the bike, allowing for better access to the other side of the bike.

#### Installation:

1. Remove the clamp and both remote holders from the stand using a 5 mm hex wrench. The bolts you remove will not be used for the extender, however the washers will be reused.
2. Place the clamp on one side of the Clamp Extender, together with both remote holders.
3. Insert the four included M8x30 bolts through the four previously removed M8 washers, remote holders, clamp and extender.
4. Place the four included M8 washers on the bolts from the back side.
5. Thread the four included M8 nuts onto the bolts.
6. Make sure the clamp is straight and tighten the nuts with a 13 mm wrench while holding the bolts with a 5 mm hex wrench.
7. Place one of the included M8 washers on one of the included M8x16 bolts, then position the whole clamp assembly over the threaded holes on E-Billy's carriage and insert the bolt into one of the top two holes. Tighten it just enough to hold the clamp assembly securely on the stand.
8. Insert the other three M8x16 bolts with washers into the holes.
9. Make sure the clamp is straight and tighten all four bolts.

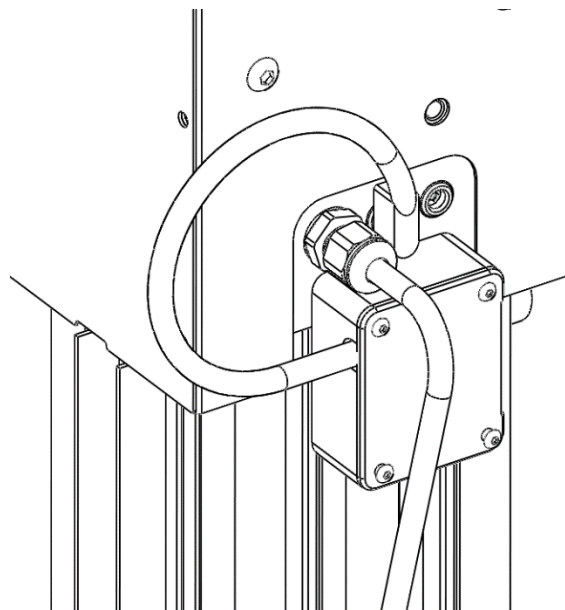


## PowerPort USB Charger

Allows you to charge two electronic devices at the same time. Includes one coiled USB cable, one USB C adapter and one Lightning adapter. It mounts to the top of the stand and plugs into one of the power plugs on the stand's top assembly.

### Installation:

1. Place the USB charger's top two bolts over the M4 threaded holes on the side of E-Billy's top assembly facing the USB ports backwards.
2. Use a 2 mm hex wrench to tighten the two bolts. Do not overtighten them.
3. Plug the USB charger's cable into one of the two power plugs available on the stand's top assembly.



---

This concludes the E-Billy Add-On Manual. If you have any other questions, you can contact us at

[info@dbd-tools.com](mailto:info@dbd-tools.com).